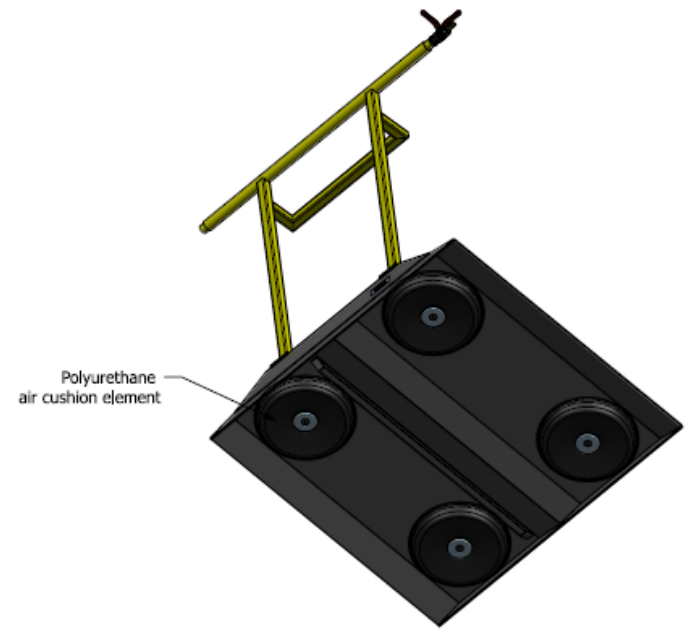
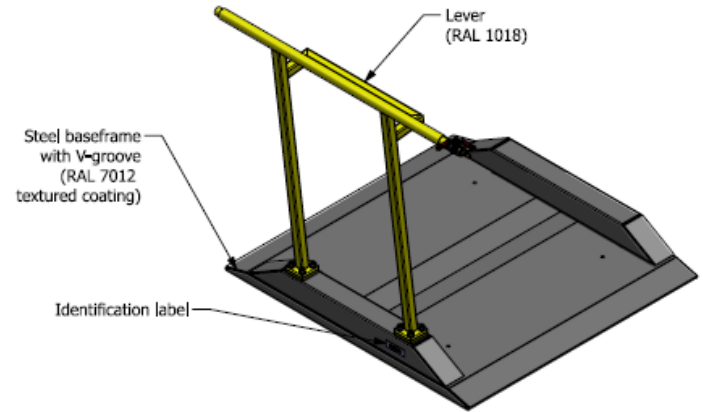
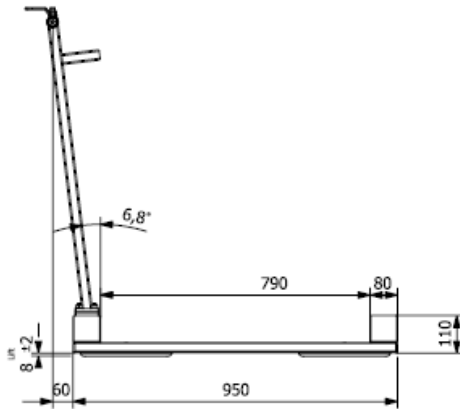
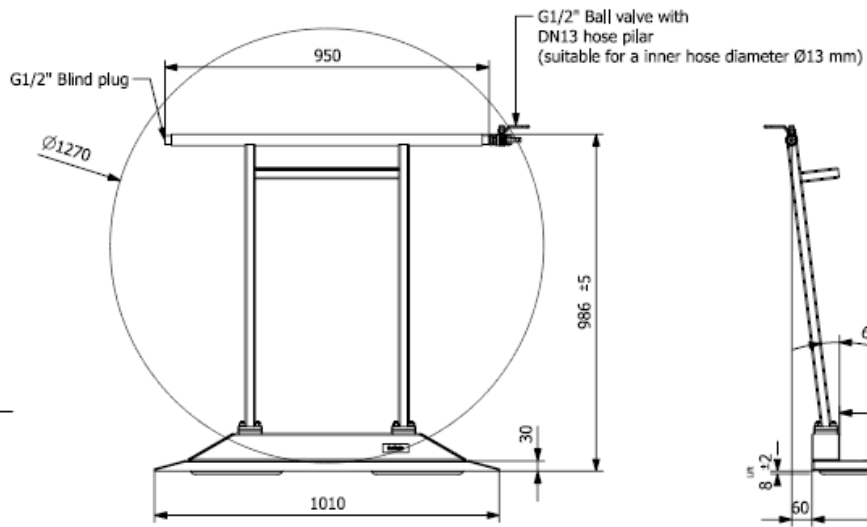


1 2 3 4 5 6 7 8 9 10 11 12

A  
B  
C  
D  
E  
F  
G  
H



For approval	Date

\* Remarks:  
 - Depending on the preferred direction, blind plug and ball valve module could be mounted on the most suitable position.  
 - Lever with ball valve and cushions come loose supplied in one package

General Tolerance: $\pm 0,5$ MM	General angle tolerance: $\pm 0,5^\circ$	General roughness: $\sqrt{}$
Project nr.:	Name: DS	Revision: -
Date: 13-07-2021	Scale: 1:10	
Customer:	Description: R-2-A030N003	
	Capacity: 2000 kg	
Drawing nr. 602.0015	Sheet 1/3	

**ASE Systems**

1 2 3 4 5 6 7 8 9 10 11 12 A2